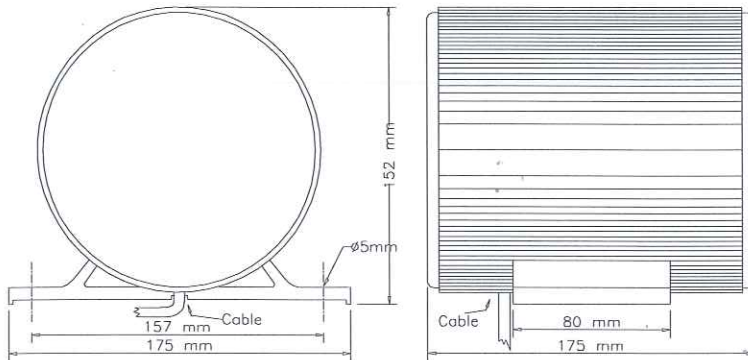




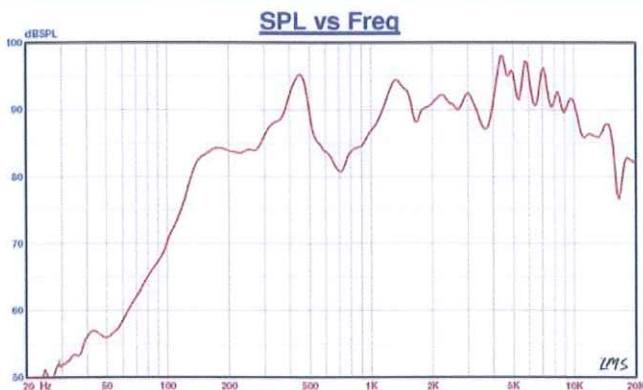
CAR 6FT

DNH BI-DIRECTIONAL LOUDSPEAKER

NEMKO CERTIFIED



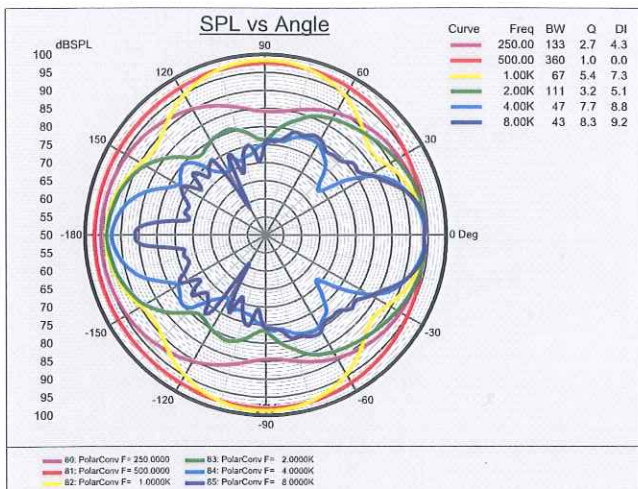
Sound pressure levels at 1W/1m P5/15T



Specifications

Material / Color	Aluminum / RAL9010 or anodized
Mounting	Foot bracket
Termination	Cable, 1 m
Weight w/transformer	1,9 kg
IP-rating	NA
Max. / min. amb. temp	90 C / -40 C
Rated / max. power	6 W / 10 W
SPL 1W/1m	90 dB
SPL rated power	96 dB
Effective freq. range	150 – 20000 Hz
Dispersion (-6dB) 1kHz / 4kHz	150 / 150
Directivity factor, Q	14,6
Options	Impedances, colors, labels

SPL vs Angle



Installation, Operation and Maintenance procedures

- Fasten loudspeaker with two screws through foot bracket.
- Select required tapping and connect with a suitable terminal.
- For optimum performance, always use the correct voltage / power and operate within the frequency limits as stated.
- Do not open loudspeaker when energized.
- This loudspeaker is supplied with a 2 year warranty against defective workmanship.

100 V Primary nominal tapings

Black : Red	6,0 W
Black : Yellow	3,0 W
Black : Green	1,5 W
Black : Blue	0,5 W

Circuit diagram

